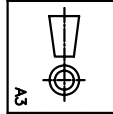


THIS DRAWING IS THE PROPERTY OF CRP FLEX-RITE LTD AND MUST NOT BE COPIED OR DISCLOSED TO A THIRD PARTY WITHOUT THE WRITTEN CONSENT OF CRP FLEX-RITE LTD.

Destroy all previous copies of this drawing

ISS	DATE	REMARKS
0	04.02.08	ORIGINAL

CRP FLEX-RITE Limited
LITTLEBOROUGH ENGLAND
www.crpdmplng.com

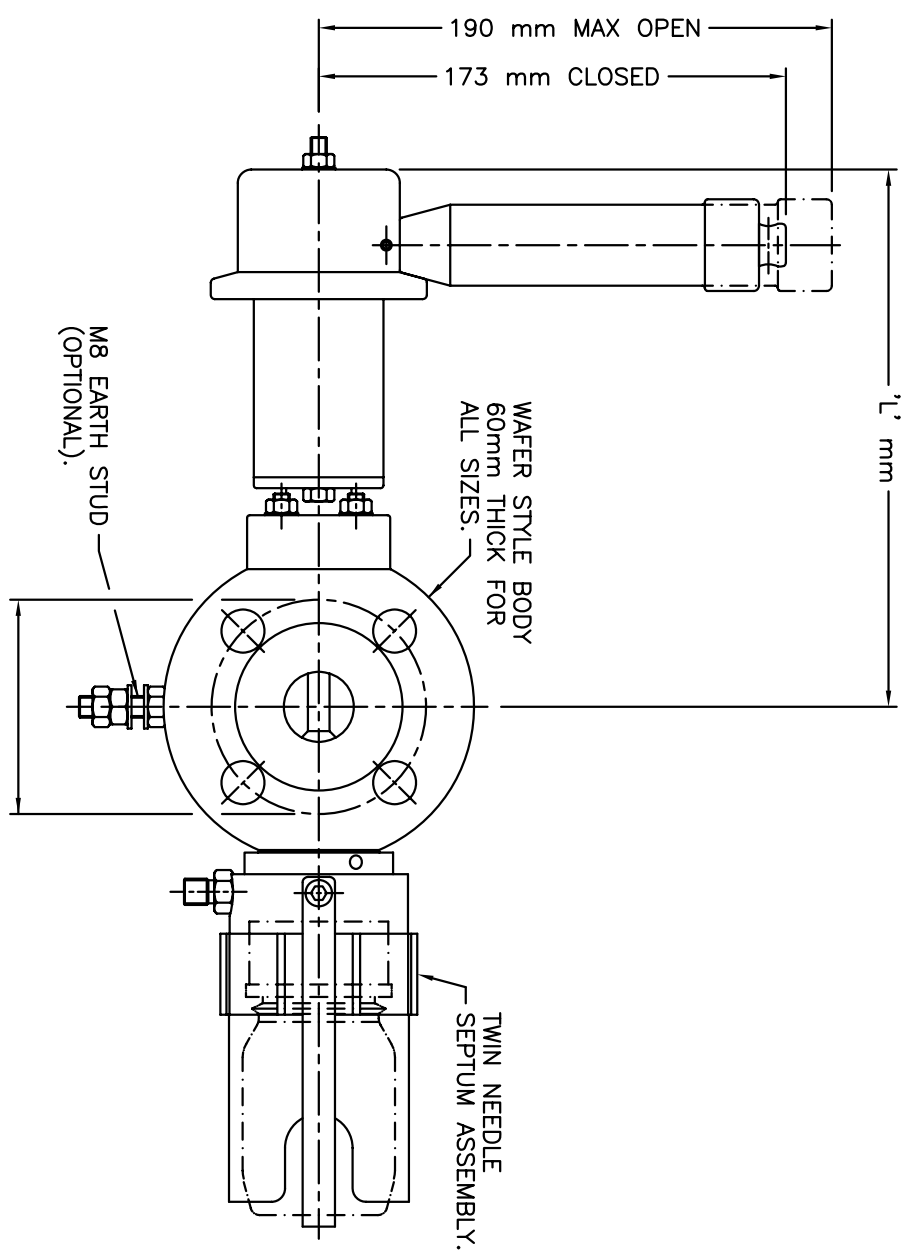


DRAWN	T.B.	MATERIAL	N/A	DIMS	DO NOT SCALE	GENERAL TOLERANCES ± 3mm
SCALE	DATE	SPEC'N	N/A	mm	SCALE	PART No.
1:2	04.02.08	CHK'D BY				

VALVE SIZE	VALVE SIZE	VALVE SIZE	VALVE SIZE	VALVE SIZE	VALVE SIZE	VALVE SIZE
6" ASME 150lb	4" ASME 150lb	3" ASME 150lb	2 1/2" ASME 150lb	2" ASME 150lb	1 1/2" ASME 150lb	1" ASME 150lb
288 mm	259 mm	244 mm	237 mm	226 mm	218 mm	200 mm

OPERATING DATA	VALVE TYPE
PRESSURE	SD-IL-400
TEMPERATURE	PFA LINED
	10 bar Max
	-20 to +180°C

TITLE		DRAWING No	ISS
G.A. SD-IL-300/400 SAMPLING DEVICE WITH SEPTUM ASSEMBLY		SDD369	0



OPERATING DATA	VALVE TYPE
PRESSURE	SD-IL-400
TEMPERATURE	PFA LINED
	10 bar Max
	-20 to +180°C